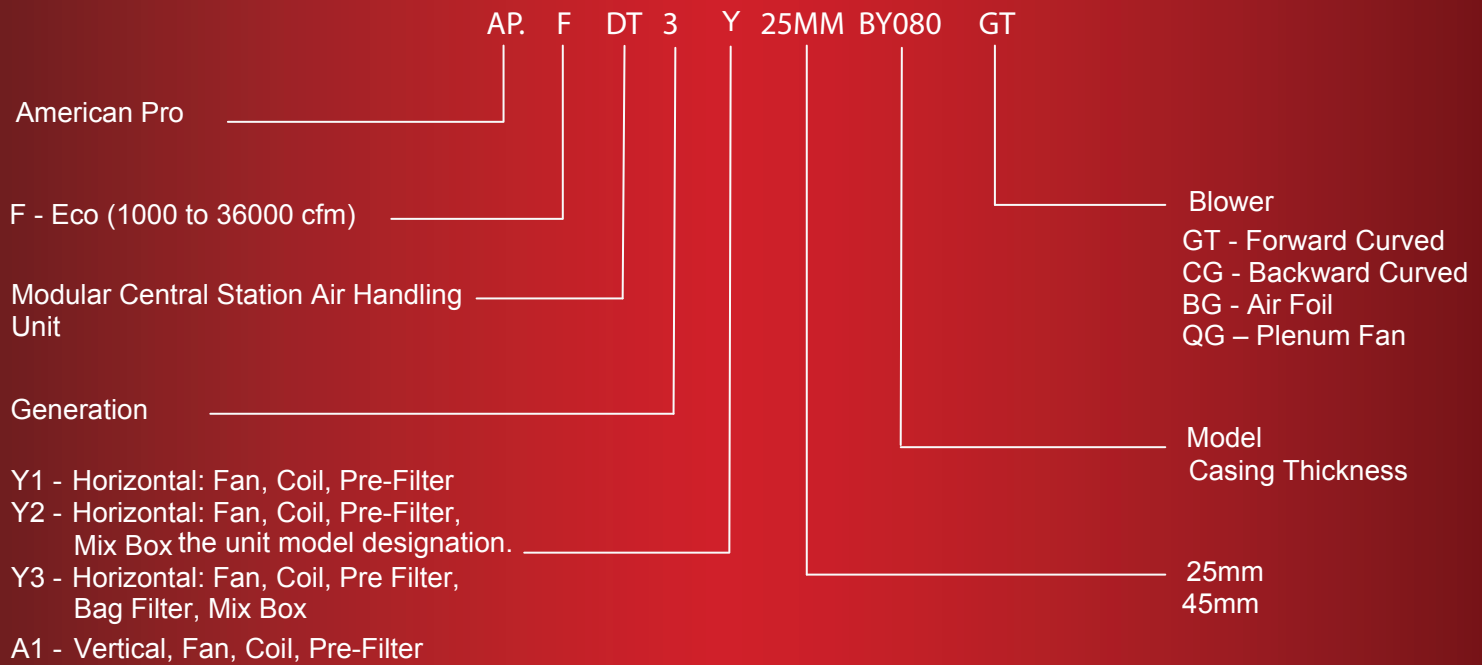




Your Comfort Is Our Duty



Each unit nameplate will carry clature of American Pro Air-Handlers

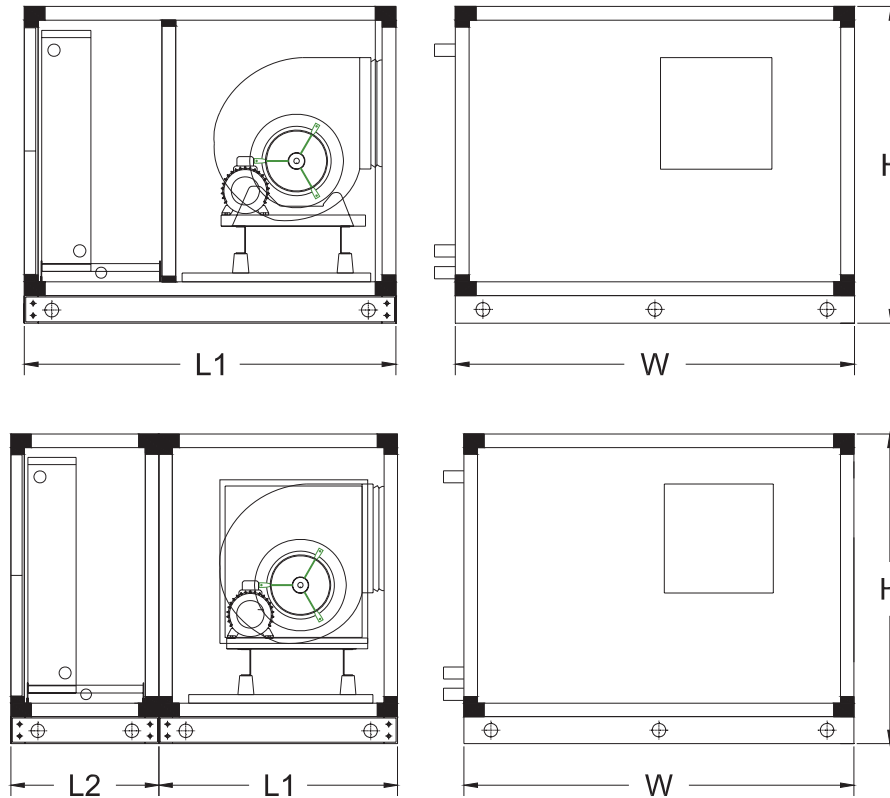
The following gives a sample nomen

PHYSICAL DIMENSION

HORIZONTAL TYPE (Y1)



Fan, Coil, Pre-Filter

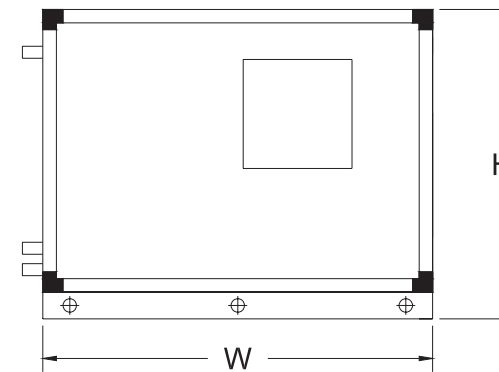
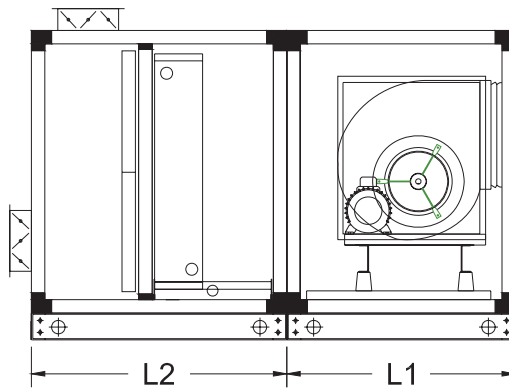
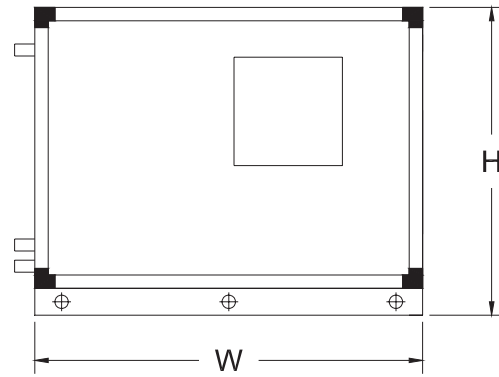
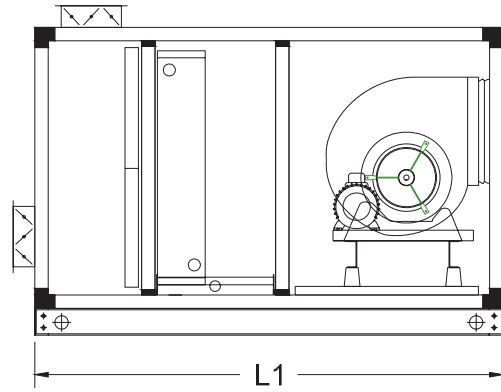


Model Code	Air Flow	Coil Size		Horizontal Unit (Fan + Coil + Pre-Filter), Y1								
				25mm Casing				45mm Casing				
				TH	FL	L1 (mm)	L2(mm)	W (mm)	H (mm)	L1 (mm)	L2 (mm)	W (mm)
AP.FDT3Y	CFM											
BY012	1200	12	24	1040	-	940	740	1050	-	950	750	
BY018	1800	16	28	1040	-	1040	840	1050	-	1050	850	
BY022	2200	18	32	1140	-	1140	940	1150	-	1150	950	
BY030	3000	20	36	1140	-	1240	940	1150	-	1250	950	
BY036	3600	24	36	1140	-	1240	1140	1150	-	1250	1150	
BY042	4200	26	40	1240	-	1340	1140	1250	-	1350	1150	
BY048	4800	26	44	1340	-	1440	1140	1350	-	1450	1150	
BY058	5800	32	44	1340	-	1440	1340	1350	-	1450	1350	
BY064	6400	32	48	1340	-	1540	1340	1350	-	1550	1350	
BY075	7500	34	52	1340	-	1640	1440	1350	-	1650	1450	
BY090	9000	38	56	1440	-	1740	1540	1450	-	1750	1550	
BY100	10000	40	60	1440	-	1840	1640	1450	-	1850	1650	
BY120	12000	42	68	1540	-	2040	1640	1550	-	2050	1650	
BY135	13500	48	68	1540	-	2040	1840	1550	-	2050	1850	
BY150	15000	52	68	1640	-	2040	2040	1650	-	2050	2050	
BY165	16500	56	68	1640	-	2040	2140	1650	-	2050	2150	
BY180	18000	64	68	1840	-	2040	2340	1850	-	2050	2350	
BY195	19500	64	72	1840	-	2140	2340	1850	-	2150	2350	
BY210	21000	64	80	1840	-	2340	2340	1850	-	2350	2350	
BY240	24000	64	88	1940	-	2540	2340	1950	-	2550	2350	
BY270	27000	64	100	1940	-	2840	2340	1950	-	2850	2350	
BY300	30000	64	110	2140	-	3140	2340	2150	-	3150	2350	
BY360	36000	64	132	1840	640	3740	2340	1850	650	3750	2350	

- Notes:
- 1) Height (H) includes the unit base.
 - 2) R/H motor and R/H piping shown.
 - 3) Unit BY360 available in two sections.

HORIZONTAL TYPE (Y2)

Fan, Coil, Pre-Filter, Mix Box

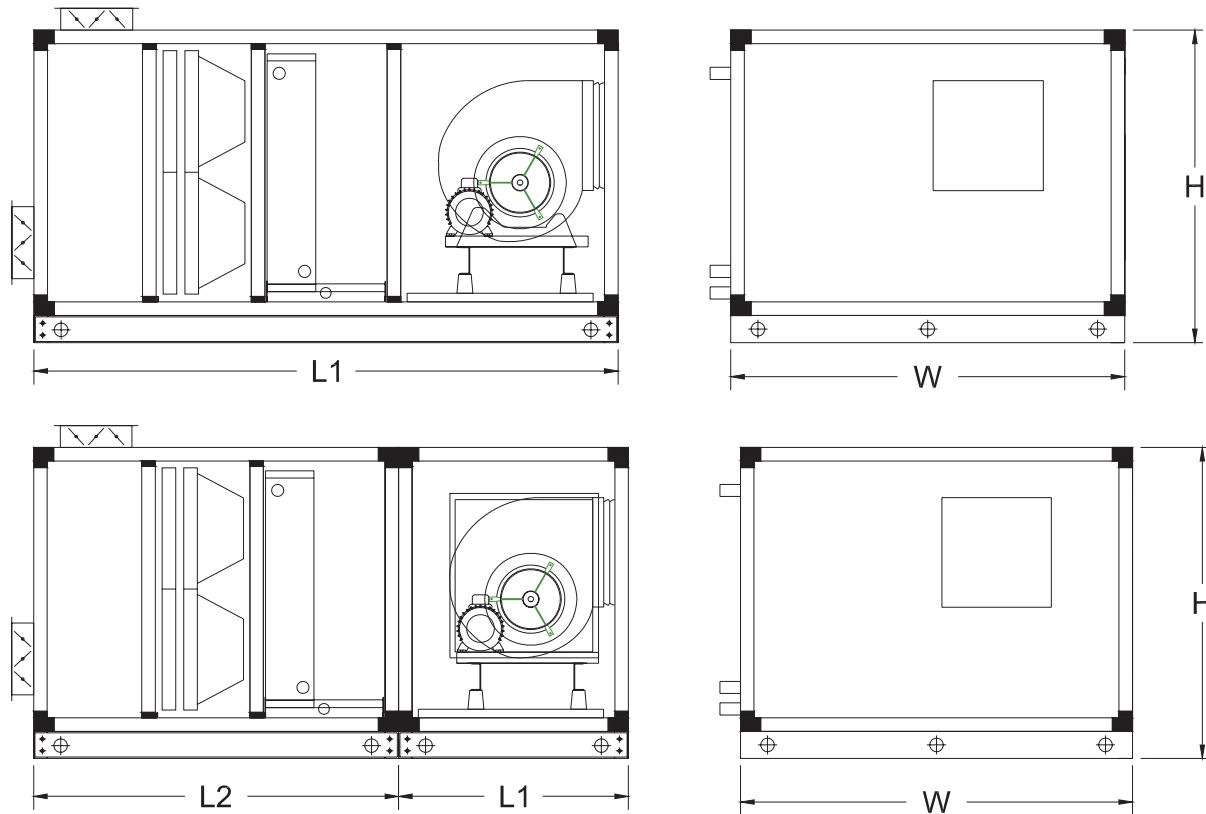


Model Code	Airflow	Coil Size		Horizontal Unit (Fan + Coil + Pre-Filter + Mix Box), Y2							
				25mm Casing				45mm Casing			
				L1 (mm)	L2 (mm)	W (mm)	H (mm)	L1 (mm)	L2 (mm)	W (mm)	H (mm)
AP.FDT3Y	CFM	TH	FL	L1 (mm)	L2 (mm)	W (mm)	H (mm)	L1 (mm)	L2 (mm)	W (mm)	H (mm)
BY012	1200	12	24	1340	-	940	740	1350	-	950	750
BY018	1800	16	28	1340	-	1040	840	1350	-	1050	850
BY022	2200	18	32	1440	-	1140	940	1450	-	1150	950
BY030	3000	20	36	1440	-	1240	940	1450	-	1250	950
BY036	3600	24	36	1540	-	1240	1140	1550	-	1250	1150
BY042	4200	26	40	1640	-	1340	1140	1650	-	1350	1150
BY048	4800	26	44	1740	-	1440	1140	1750	-	1450	1150
BY058	5800	32	44	1840	-	1440	1340	1850	-	1450	1350
BY064	6400	32	48	1840	-	1540	1340	1850	-	1550	1350
BY075	7500	34	52	1840	-	1640	1440	1850	-	1650	1450
BY090	9000	38	56	1940	-	1740	1540	1950	-	1750	1550
BY100	10000	40	60	1940	-	1840	1640	1950	-	1850	1650
BY120	12000	42	68	2040	-	2040	1640	2050	-	2050	1650
BY135	13500	48	68	2140	-	2040	1840	2150	-	2050	1850
BY150	15000	52	68	2340	-	2040	2040	2350	-	2050	2050
BY165	16500	56	68	2340	-	2040	2140	2350	-	2050	2150
BY180	18000	64	68	2540	-	2040	2340	2550	-	2050	2350
BY195	19500	64	72	2540	-	2140	2340	2550	-	2150	2350
BY210	21000	64	80	1840	840	2340	2340	1850	850	2350	2350
BY240	24000	64	88	1940	1040	2540	2340	1950	1050	2550	2350
BY270	27000	64	100	1940	1040	2840	2340	1950	1050	2850	2350
BY300	30000	64	110	2140	1040	3140	2340	2150	1050	3150	2350
BY360	36000	64	132	1840	1640	3740	2340	1850	1650	3750	2350

- Notes: 1) Height (H) includes the unit base.
 2) R/H motor and R/H piping shown.
 3) Unit BY195 to BY360 available in two sections.

HORIZONTAL TYPE (Y3)

Fan, Coil, Pre Filter, Bag Filter, Mix Box

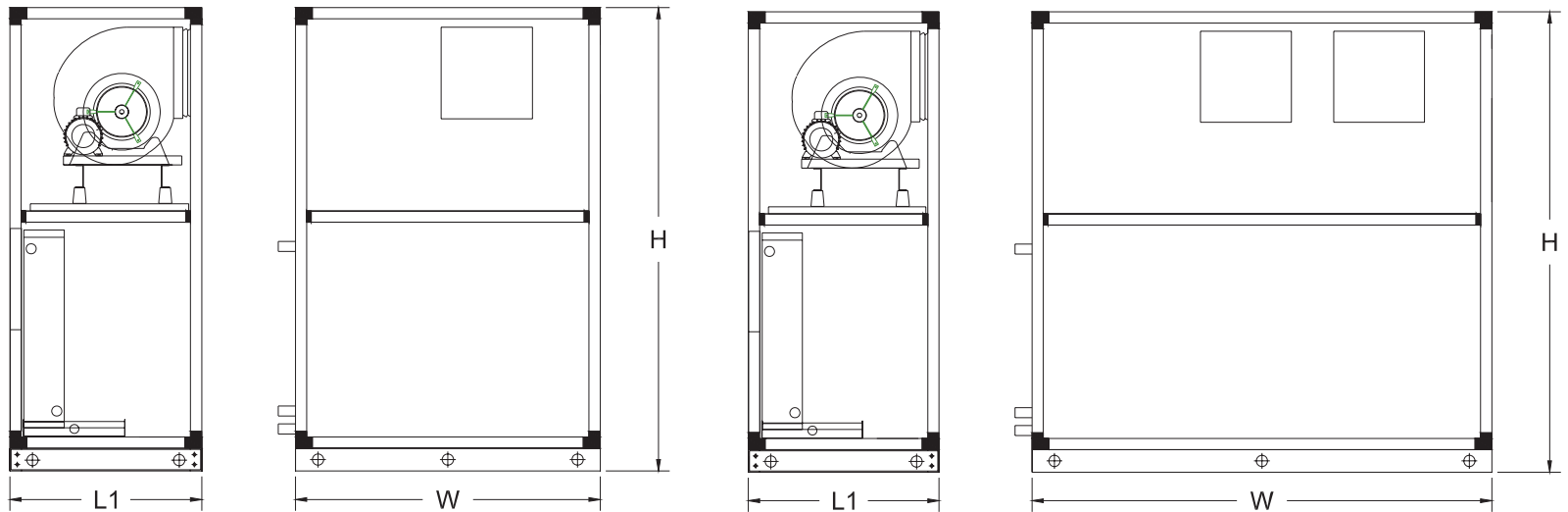


Model Code	Airflow	Coil Size		Horizontal Unit (Fan + Coil + Pre Filter + Bag Filter + Mix Box), Y3							
				25mm Casing				45mm Casing			
				TH	FL	L1 (mm)	L2(mm)	W (mm)	H (mm)	L1 (mm)	L2 (mm)
AP.FDT3Y	CFM										
BY012	1200	12	24	1740	-	940	740	1750	-	950	750
BY018	1800	16	28	1740	-	1040	840	1750	-	1050	850
BY022	2200	18	32	1840	-	1140	940	1850	-	1150	950
BY030	3000	20	36	1840	-	1240	940	1850	-	1250	950
BY036	3600	24	36	1940	-	1240	1140	1950	-	1250	1150
BY042	4200	26	40	2040	-	1340	1140	2050	-	1350	1150
BY048	4800	26	44	2140	-	1440	1140	2150	-	1450	1150
BY058	5800	32	44	2240	-	1440	1340	2250	-	1450	1350
BY064	6400	32	48	2240	-	1540	1340	2250	-	1550	1350
BY075	7500	34	52	2240	-	1640	1440	2250	-	1650	1450
BY090	9000	38	56	2340	-	1740	1540	2350	-	1750	1550
BY100	10000	40	60	2340	-	1840	1640	2350	-	1850	1650
BY120	12000	42	68	2440	-	2040	1640	2450	-	2050	1650
BY135	13500	48	68	2540	-	2040	1840	2550	-	2050	1850
BY150	15000	52	68	2740	-	2040	2040	2750	-	2050	2050
BY165	16500	56	68	2740	-	2040	2140	2750	-	2050	2150
BY180	18000	64	68	2940	-	2040	2340	2950	-	2050	2350
BY195	19500	64	72	2940	-	2140	2340	2950	-	2150	2350
BY210	21000	64	80	1840	1240	2340	2340	1850	1250	2350	2350
BY240	24000	64	88	1940	1440	2540	2340	1950	1450	2550	2350
BY270	27000	64	100	1940	1440	2840	2340	1950	1450	2850	2350
BY300	30000	64	110	2140	1440	3140	2340	2150	1450	3150	2350
BY360	36000	64	132	1840	2040	3740	2340	1850	2050	3750	2350

- Notes:
- 1) Height (H) includes the unit base.
 - 2) R/H motor and R/H piping shown.
 - 3) Unit BY195 to BY360 available in two sections.

VERTICAL TYPE (A1)

Fan, Coil, Pre-Filter



Model Code	Air Flow	Coil Size		Vertical Unit (Fan + Coil + Pre-Filter), A1						
				25mm Casing			45mm Casing			
				TH	FL	L1 (mm)	W (mm)	H (mm)	L1 (mm)	W (mm)
AP.FDT3A	CFM									
BY012	1200	12	24	640	940	1340	650	950	1350	
BY018	1800	16	28	640	1040	1540	650	1050	1550	
BY022	2200	18	32	740	1140	1740	750	1150	1750	
BY030	3000	20	36	740	1240	1740	750	1250	1750	
BY036	3600	24	36	740	1240	1840	750	1250	1850	
BY042	4200	26	40	840	1340	2040	850	1350	2050	
BY048	4800	26	44	840	1440	2040	850	1450	2050	
BY058	5800	32	44	940	1440	2340	950	1450	2350	
BY064	6400	32	48	940	1540	2340	950	1550	2350	
BY075	7500	34	52	940	1640	2440	950	1650	2450	
BY090	9000	38	56	940	2040	2440	950	2050	2450	
BY100	10000	38	62	940	2240	2440	950	2250	2450	
BY120	12000	36	82	940	2440	2440	950	2450	2450	
BY135	13500	34	94	940	2740	2440	950	2750	2450	
BY150	15000	34	104	940	2940	2440	950	2950	2450	
BY165	16500	34	114	940	3240	2440	950	3250	2450	
BY180	18000	34	126	940	3540	2440	950	3550	2450	
BY195	19500	32	144	1040	4040	2440	1050	4050	2450	
BY210	21000	32	154	1040	4240	2440	1050	4250	2450	
BY240	24000	34	166	1040	4540	2440	1050	4550	2450	

- Notes: 1) Height (H) includes the unit base.
 2) R/H motor and R/H piping shown.
 3) Unit BY090 to BY240 available in twin fans installation.